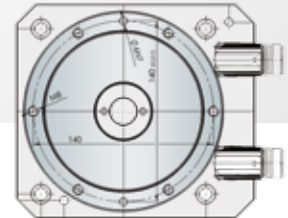


TO

FREELY PROGRAMMABLE ROTARY TABLES | TO TORQUE ROTARY TABLE



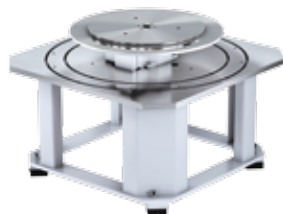
Precise and fast mechanical integration through pin holes, safe electrical commissioning through perfect hardware.



TO TORQUE ROTARY TABLE: DYNAMIC, FLEXIBLE, PRECISE

MATCHED BASE FRAMES AND PLATES

Simple integration into existing equipment. Highly dynamic, high-precision and ready-for-installation rotary table solution with unbeatable price-performance.



THE CLEANLINE. FOR CLEANROOM APPLICATIONS.

Cleanroom-certified version also available:
The TO220 CAB CL is certified to air purity class 1 as per US Federal Standard 209E.



The custom machine from INNOVATIVE Products & Equipment assembles and tests plastic parts for irrigation systems. The heart of the installation, a TO 750, beats at 75 cycles per minute. The four-track design allows production of 300 components per minute.



Direct drive rotary table with impressive dynamics and extremely high degree of repeat accuracy. User-programmable and also suitable for use in clean rooms. The direct drive rotary table allows the shortest indexing times at the highest precision. Its ability to cover a significantly more versatile range of tasks – including reuse – helps you tap new added value potential.

ADVANTAGES

- Extremely dynamic
- Extremely high repeat accuracy
- Absolute measuring system (TO 150C/TO 220C)
- High degree of reliability, long service life
- Zero backlash
- No wearing parts
- Direct, rigid connection of the load to the drive
- Overload protection
- Absolutely rust-proof design, all surfaces are treated
- No cooling devices necessary
- Compact design, small footprint, high level of torque

TO 150C

TECHNICAL DATA

Operating cycles:	Up to 600 cpm
Direction of rotation:	Freely programmable
Max. table speed:	A-Typ: 60 rpm B-Typ: 150 rpm
Weight:	16 kg
Mounting position:	Any*
Positioning precision (arcsec):	± 25" (on request 15" improved indexing precision)
Repeatability (arcsec):	± 8"
Max. axial run-out of dial plate:	0.01 mm (at Ø 155 mm)
Max. concentricity:	0.01 mm

MOTOR DATA

Nom:	15 Nm
Peak:	45 Nm

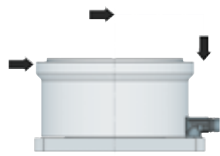
* Please consult WEISS for overhead mounting positions.



SHAFT ENCODER DATA

Measurement system:	Heidenhain EnDat ECN 113 (absolute ± 25") or EnDat ECN 225 (absolute ± 15")
---------------------	--

LOAD DATA (for the rotary plate)



Perm. tilting moment
600 Nm (static)



Perm. radial force
10000 N (static)

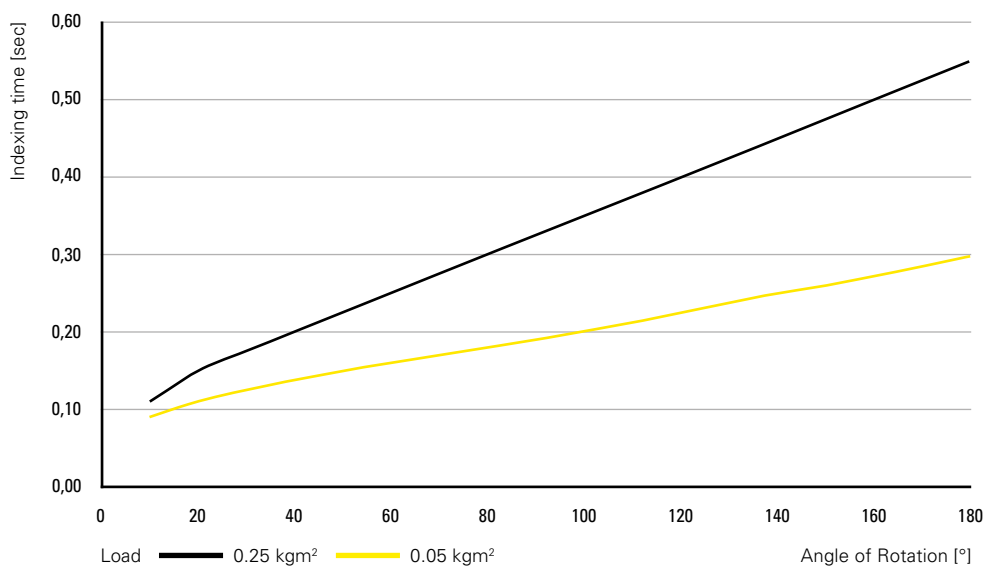
Perm. axial force (within the nominal Ø)
6000 N (static)



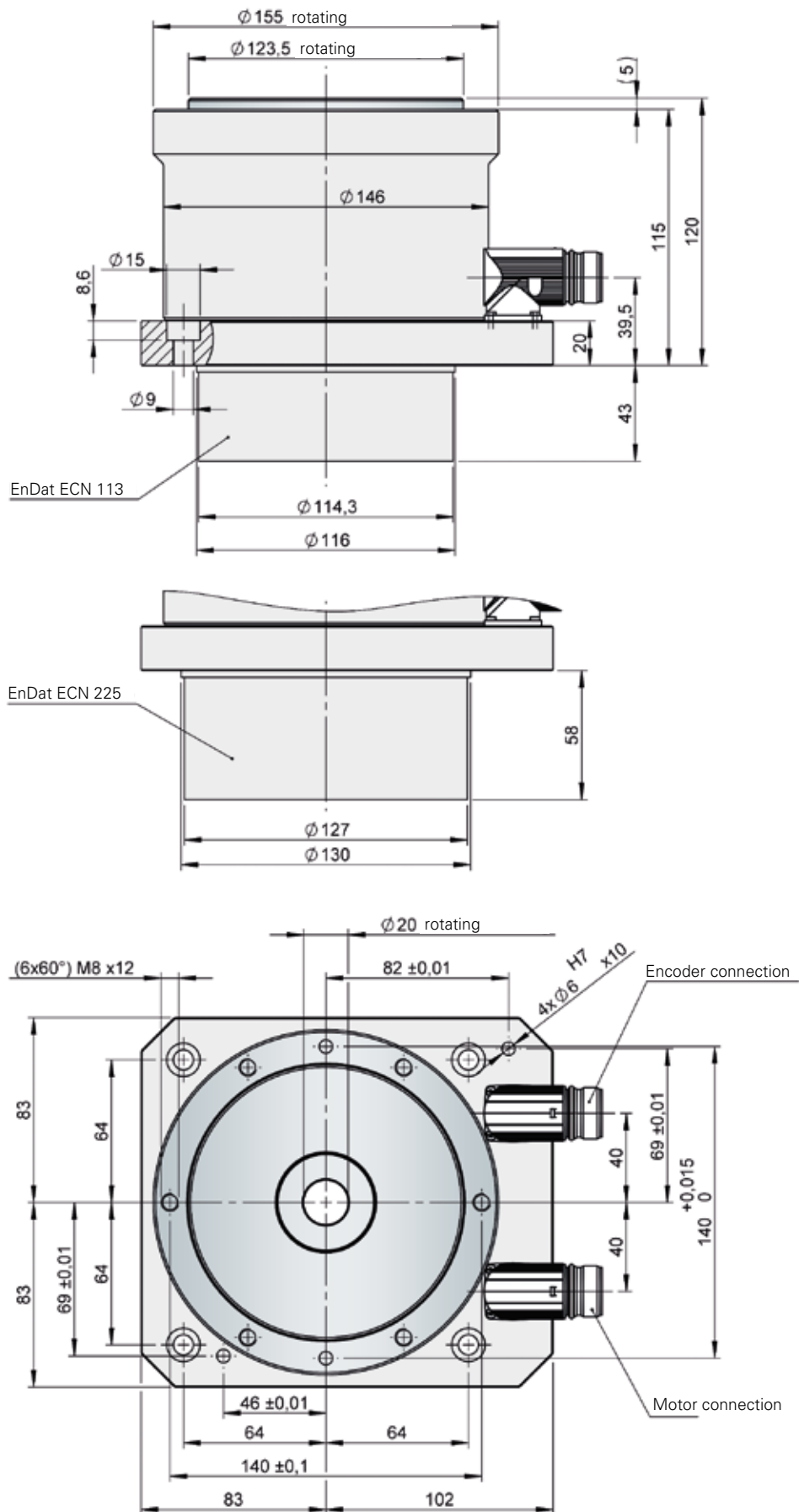
Perm. torque
Nominal **15 Nm**
Peak **45 Nm**

Combined loads only after inspection by WEISS.

TIMING DIAGRAM



DIMENSIONS



TO 220C

TECHNICAL DATA

Max operating cycles:	600 cpm
Direction of rotation:	Freely programmable
Max. table speed:	A-type: 60 rpm B-type: 150 rpm
Weight:	32 kg
Mounting position:	Any*
Positioning precision:	± 25" (± 15" optional)
Repeatability (arcsec):	± 7"
Max. axial run-out of dial plate:	0.01 mm (at Ø 245 mm)
Max. concentricity:	0.01 mm

MOTOR DATA

Nom:	52 Nm
Peak:	130 Nm

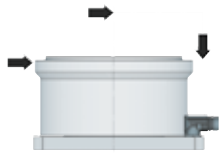
SHAFT ENCODER DATA

Measurement system:	Heidenhain EnDat ECN 113 (absolute ± 25") or EnDat ECN 225 (absolute ± 15")
---------------------	---



* Please consult WEISS for overhead mounting positions.

LOAD DATA (for the rotary plate)



Perm. tilting moment

1000 Nm (static)

Perm. radial force

15000 N (static)



Perm. axial force (within the nominal Ø)

10000 N (static)



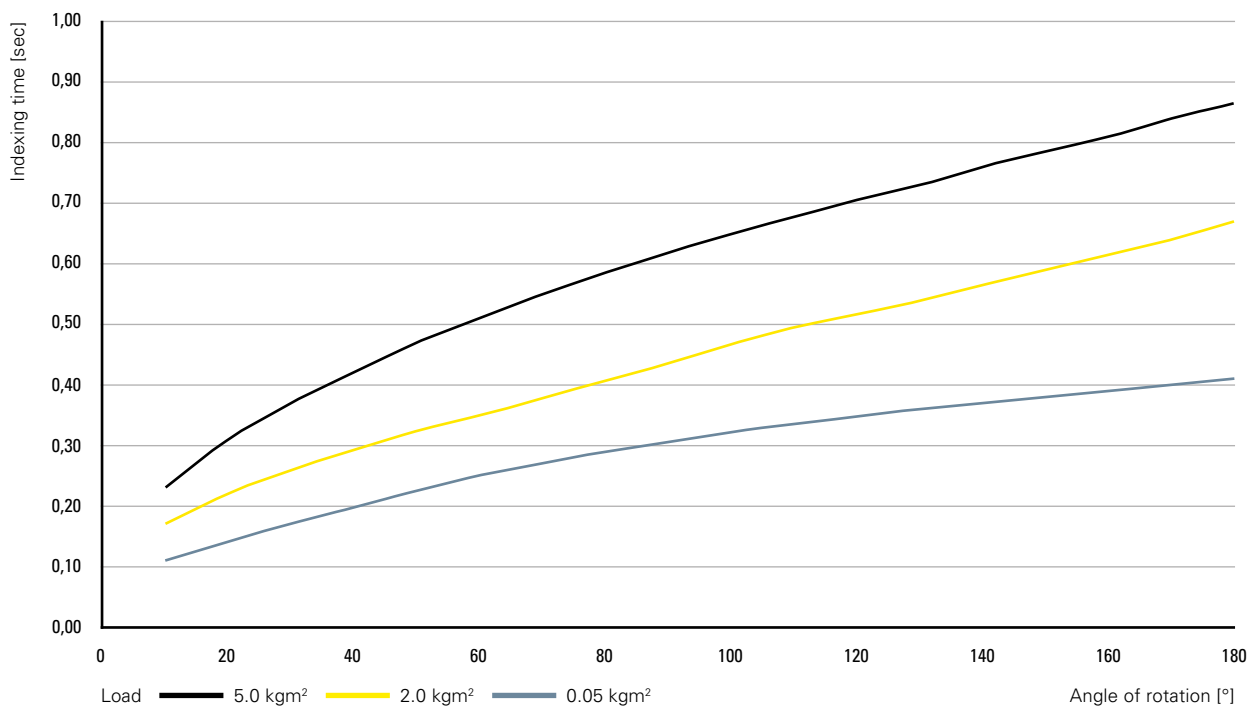
Perm. torque

Nominal
52 Nm

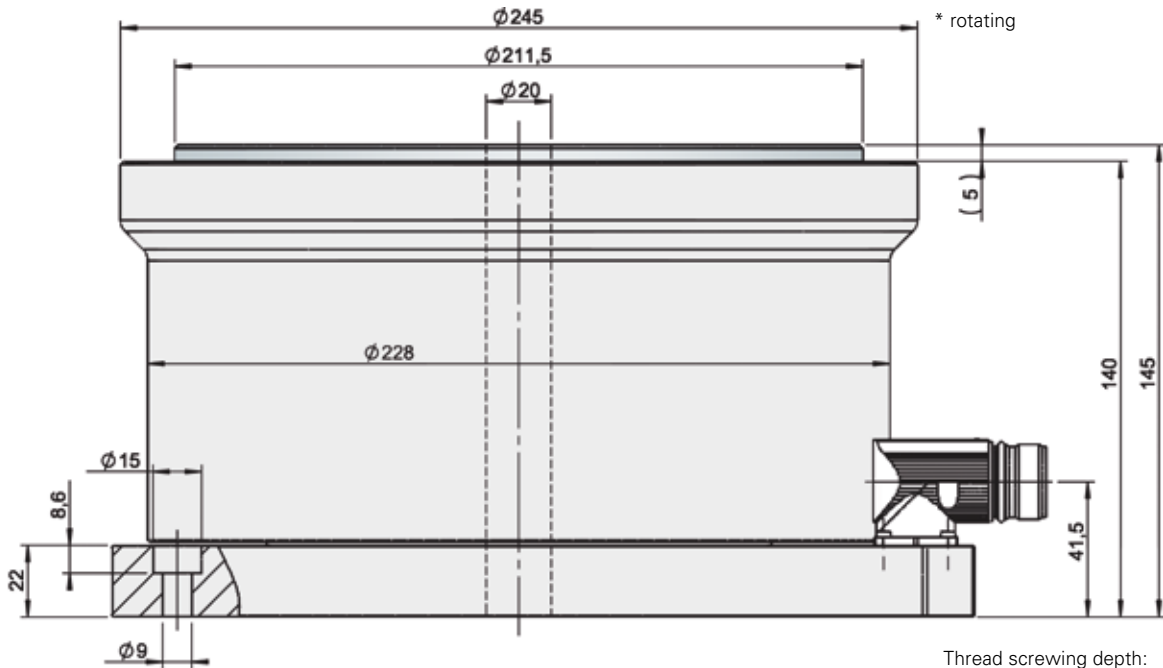
Peak
130 Nm

Combined loads only after inspection by WEISS.

TIMING DIAGRAM

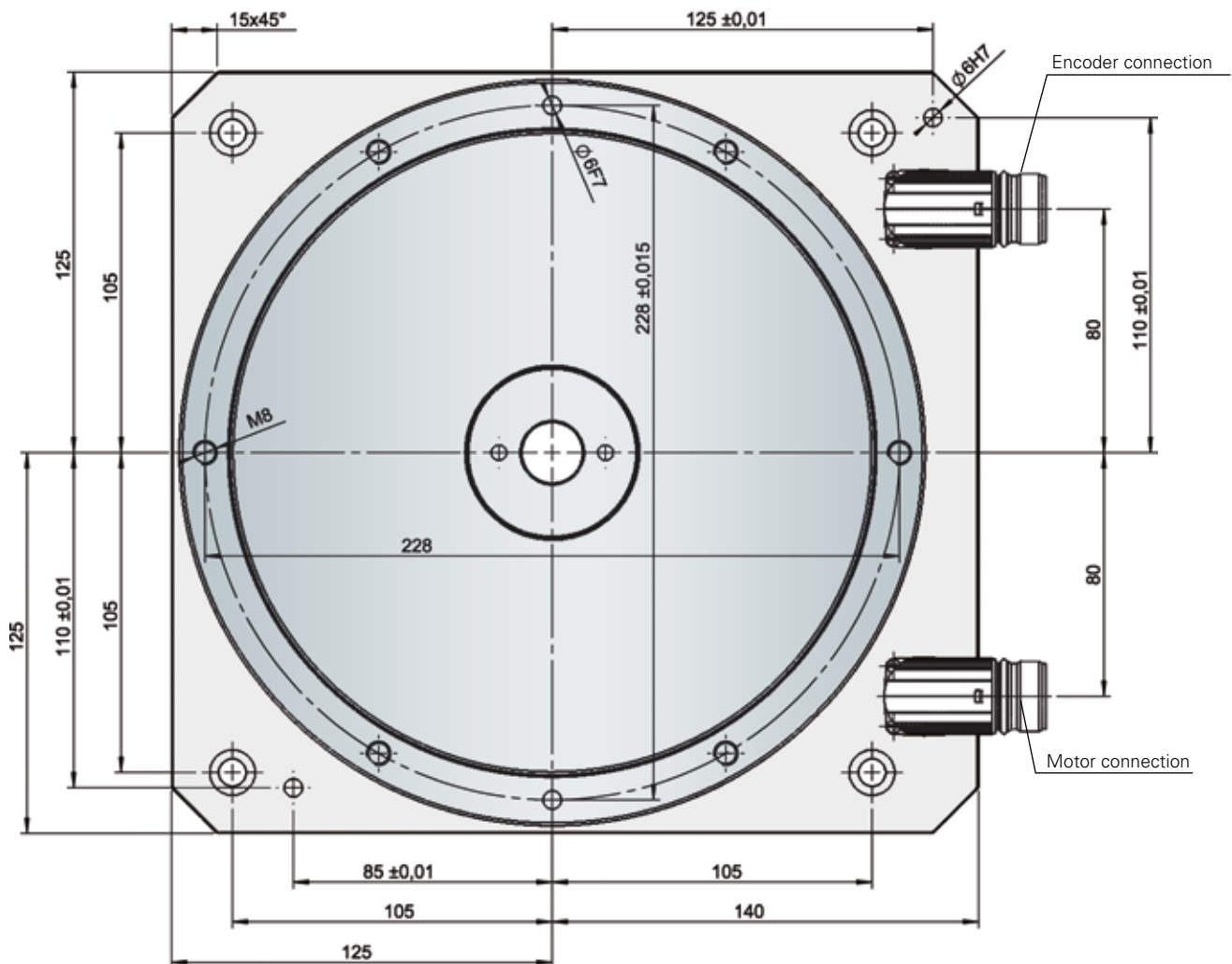


DIMENSIONS



Thread screwing depth:
M8 max. 12 mm

Fit depth:
 $\varnothing 6F7$ max. 10 mm



TO 750C

TECHNICAL DATA

Max operating cycles:	400 cpm
Direction of rotation:	Freely programmable
Max. table speed:	50 rpm
Weight:	270 kg
Mounting position:	Any*
Indexing precision (arcsec):	± 7"
Repeatability (arcsec):	± 2"
Max. axial run-out of motor:	0.01 mm (at Ø 500 mm)
Max. concentricity:	0.01 mm (at Ø 500 mm)

The manufacturing tolerance of the dial plate has to be added.
See chapter customer-specific solutions.

MOTOR DATA

Nom:	700 Nm
Peak:	2100 Nm

SHAFT ENCODER DATA

Measurement system:	Renishaw Signum with incremental (1 Vpp), BISS or DriveCLIQ-interface
---------------------	---

* Please consult WEISS for overhead mounting positions.



LOAD DATA (for the stationary centre part)



Perm. tilting moment
2500 Nm



Perm. radial force
20000 N



Perm. axial force
25000 N

Perm. torque
1100 Nm

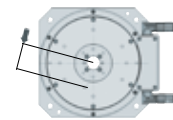
LOAD DATA (for the rotary plate)



Perm. tilting moment
6000 Nm (static)



Perm. radial force
25000 N (static)

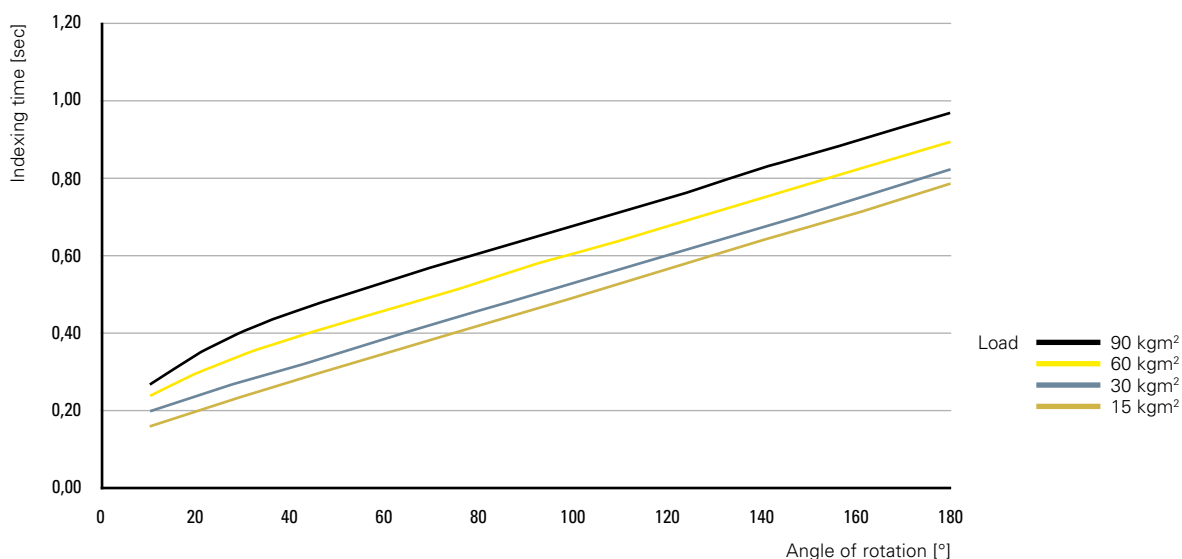


Perm. axial force (within the nominal Ø)
25000 N (static)

Perm. torque
Nominal **700 Nm** Peak **2400 Nm**

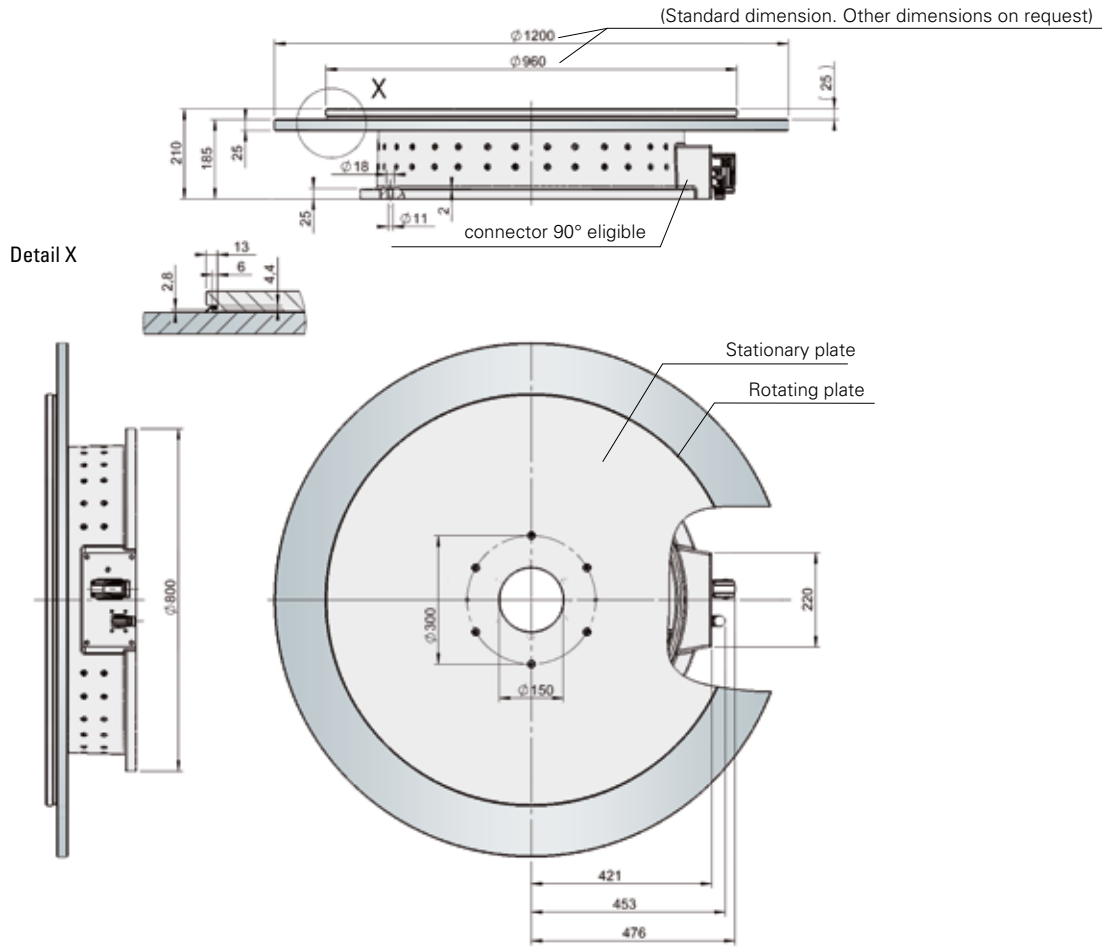
Combined loads only after inspection by WEISS.

TIMING DIAGRAM



DIMENSIONS

Standing and rotating plate according to customer drawing are included in delivery and will be offered separately.



SCREW HOLE PATTERN

