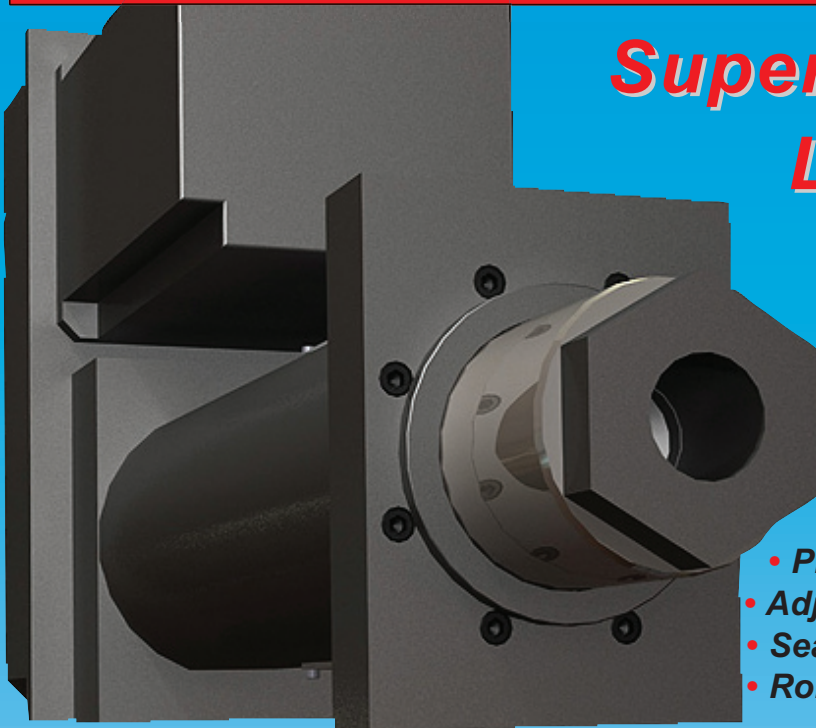


# ELIMINATOR SD™

## Super Duty Ball Screw Linear Actuators



- Thrusts from 30,000 to 66,000 LBF
- Heavy Wall Steel Construction
- Highest (B10) Life Rating
- Piston with Rugged Anti-Rotation Feature
- Adjustable Limit Switch Positions
- Sealed Chamber Design
- Roller Screw Also Available

## ELIMINATOR SD™ Capabilities

Model Number	Thrust Load Rated (lb <sub>f</sub> )	Thrust Load Max. (lb <sub>f</sub> )	Linear Velocity Max. (in/s)	Travel Length <sup>(1)</sup> Max. (in)	Frame Size (in)	Lead <sup>(2)</sup> (in)	Ball Screw Diameter (in)	Ball Screw Speed Max. (RPM)	Torque @ Ball Screw Max. (in-lb)	Dynamic Capacity per million revs (lb <sub>f</sub> )	Dynamic Capacity per million inches (lb <sub>f</sub> )	Motor/ <sup>(3)</sup> Gearhead Frame Supported Max. (in)	Unit Weight "U" Motor Mount (lb)	Unit Weight "L" Motor Mount (lb)
SD930-06	30,000	45,000	12	06	9	1.00	4.00	720	5,300	68,450	68,450	12	661	680
SD930-12	30,000	45,000	12	12	9	1.00	4.00	720	5,300	68,450	68,450	12	733	752
SD930-18	30,000	45,000	12	18	9	1.00	4.00	720	5,300	68,450	68,450	12	806	825
SD930-24	30,000	45,000	12	24	9	1.00	4.00	720	5,300	68,450	68,450	12	878	897
SD930-30	30,000	45,000	12	30	9	1.00	4.00	720	5,300	68,450	68,450	12	951	970
SD930-36	30,000	45,000	12	36	9	1.00	4.00	720	5,300	68,450	68,450	12	1,023	1,042
SD930-42	30,000	45,000	12	42	9	1.00	4.00	720	5,300	68,450	68,450	12	1,096	1,115
SD930-48	30,000	45,000	12	48	9	1.00	4.00	720	5,300	68,450	68,450	12	1,168	1,187
SD948-06	48,000	70,000	12	06	9	1.00	4.00	720	8,490	76,390	76,390	12	667	686
SD948-12	48,000	70,000	12	12	9	1.00	4.00	720	8,490	76,390	76,390	12	739	758
SD948-18	48,000	70,000	12	18	9	1.00	4.00	720	8,490	76,390	76,390	12	812	831
SD948-24	48,000	70,000	12	24	9	1.00	4.00	720	8,490	76,390	76,390	12	884	903
SD948-30	48,000	70,000	12	30	9	1.00	4.00	720	8,490	76,390	76,390	12	957	976
SD948-36	48,000	70,000	12	36	9	1.00	4.00	720	8,490	76,390	76,390	12	1,029	1,048
SD948-42	48,000	70,000	12	42	9	1.00	4.00	720	8,490	76,390	76,390	12	1,102	1,121
SD948-48	48,000	70,000	12	48	9	1.00	4.00	720	8,490	76,390	76,390	12	1,174	1,193
SD966-06	66,000	90,000	12	06	9	1.00	4.00	720	11,670	84,900	84,900	12	681	700
SD966-12	66,000	90,000	12	12	9	1.00	4.00	720	11,670	84,900	84,900	12	753	772
SD966-18	66,000	90,000	12	18	9	1.00	4.00	720	11,670	84,900	84,900	12	826	845
SD966-24	66,000	90,000	12	24	9	1.00	4.00	720	11,670	84,900	84,900	12	898	917
SD966-30	66,000	90,000	12	30	9	1.00	4.00	720	11,670	84,900	84,900	12	971	990
SD966-36	66,000	90,000	12	36	9	1.00	4.00	720	11,670	84,900	84,900	12	1,043	1,062
SD966-42	66,000	90,000	12	42	9	1.00	4.00	720	11,670	84,900	84,900	12	1,116	1,135
SD966-48	66,000	90,000	12	48	9	1.00	4.00	720	11,670	84,900	84,900	12	1,188	1,207

(1) Intermediate lengths are available; Longer lengths possible.

(2) Standard lead accuracy is 0.002 in/ft

Standard backlash is 0.003 in maximum; Optional zero backlash is also available.

(3) Motor adapter plates are available for larger motor frames.



Precision Mechanical  
Products

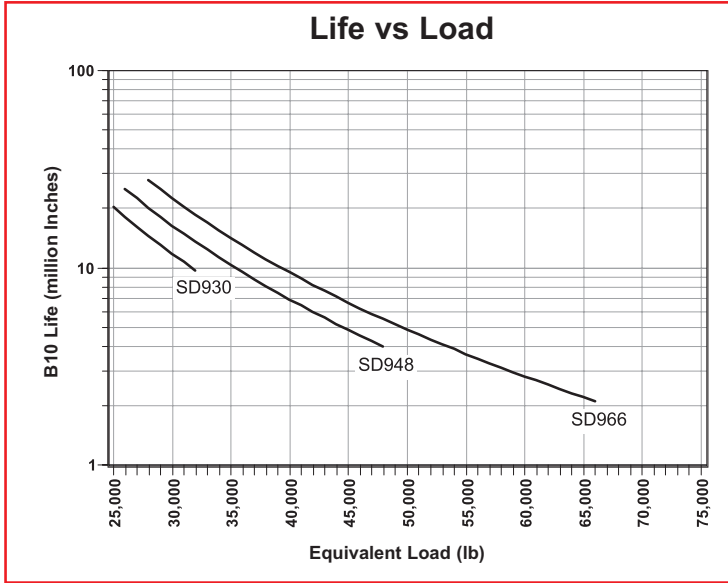


For Application Support **800-878-1157**  
Call us Today at Fax: 860-953-0496  
Tel: 860-953-0588

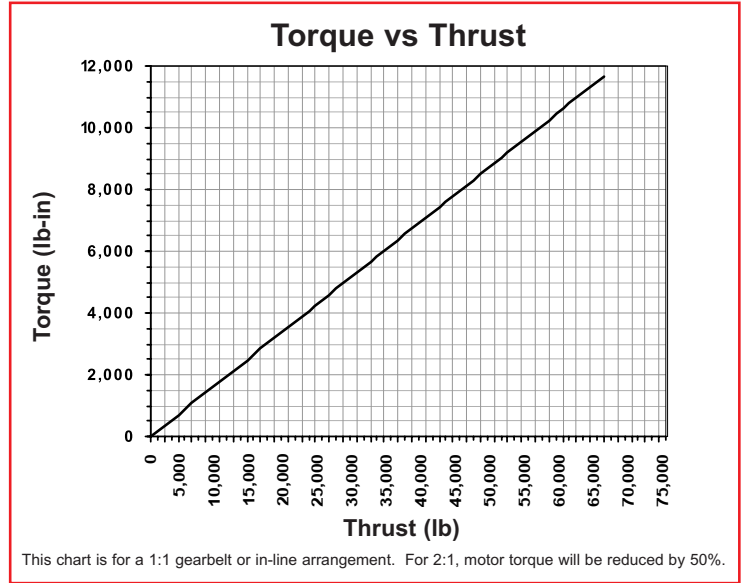
# Precision Experience In Motion™

# ELIMINATOR SD™

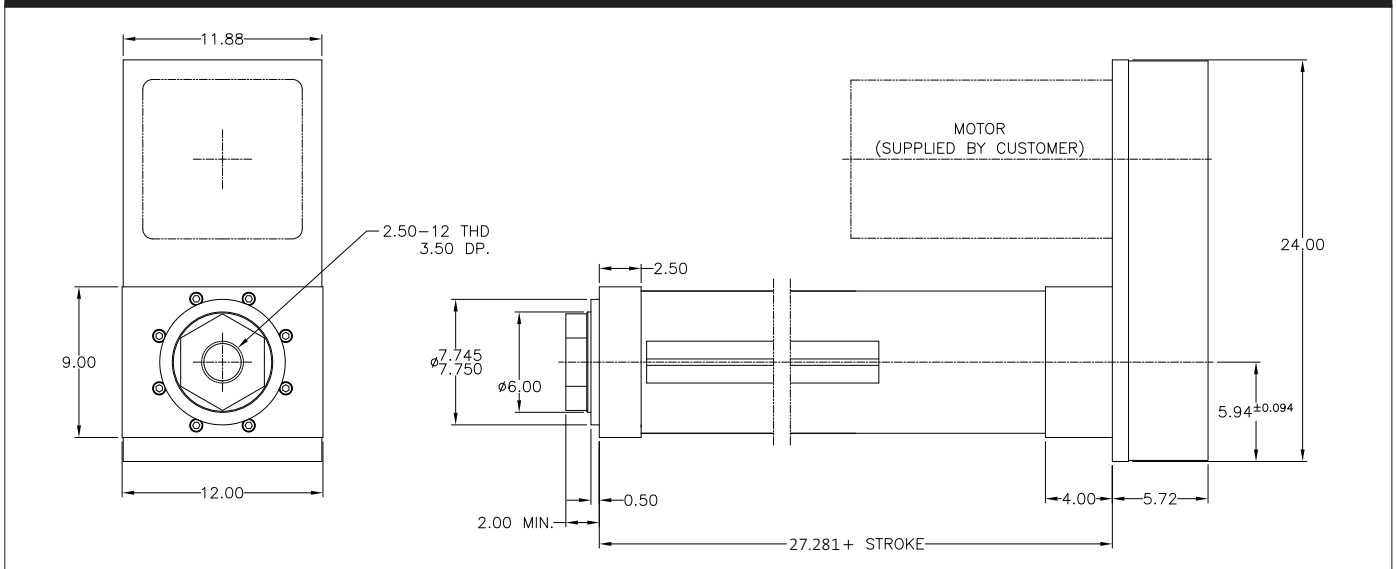
**Graph: Life Vs. Load**



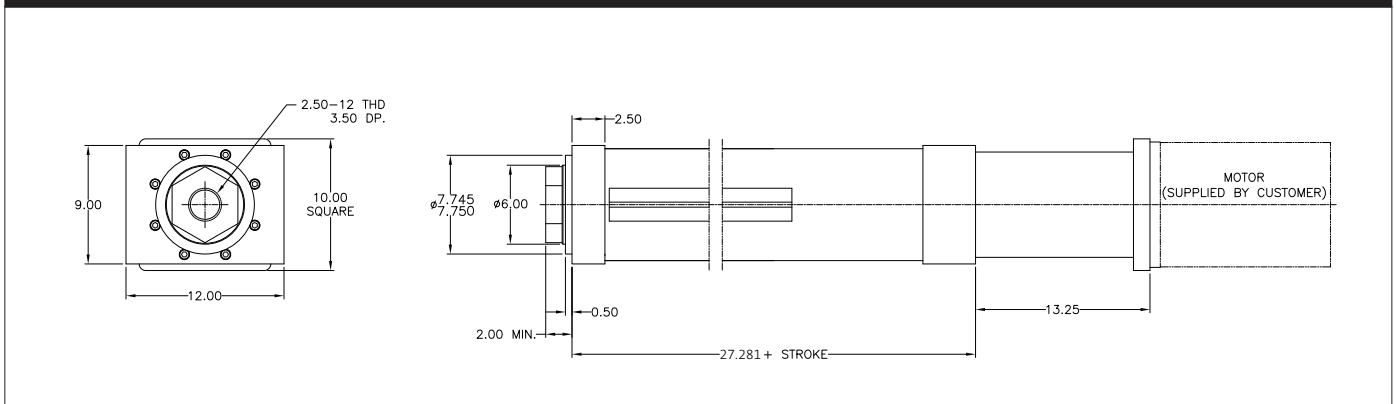
**Graph 2: Torque Vs. Thrust at Ball Screw**



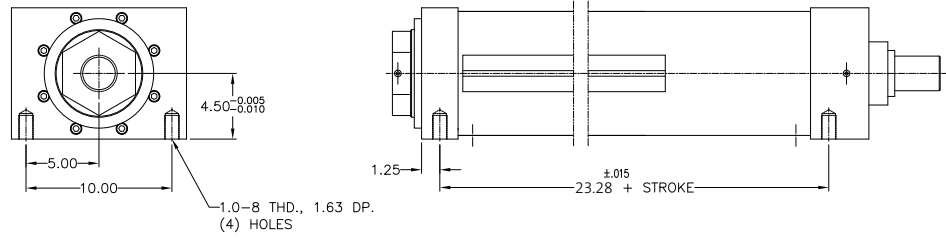
**U-Parallel Offset Motor Dimensions**



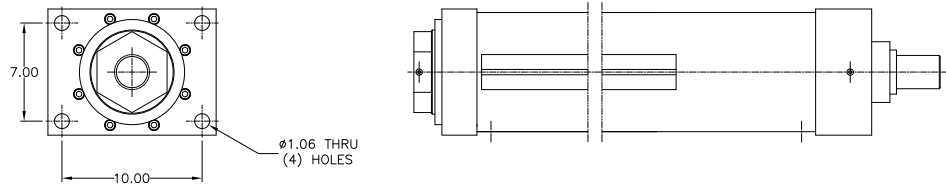
**L-Inline Motor Dimensions**



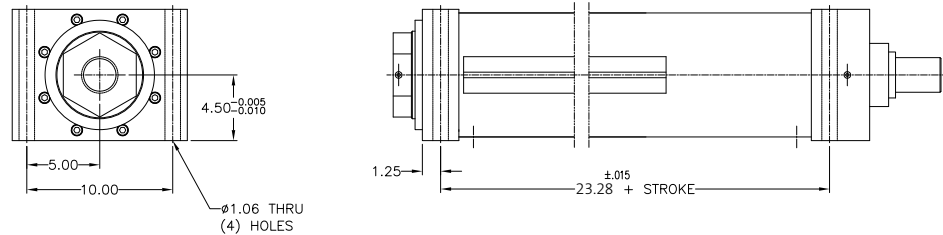
### Bottom Mount Dimensions



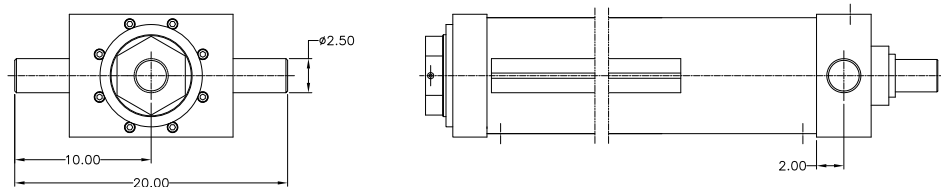
### Front Flange Dimensions



### Foot Mount Dimensions

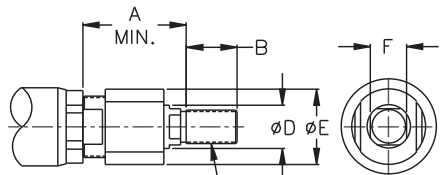


### Trunnion Mount Dimensions

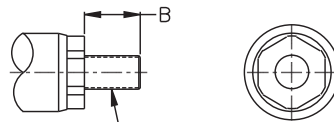


# ELIMINATOR SD™

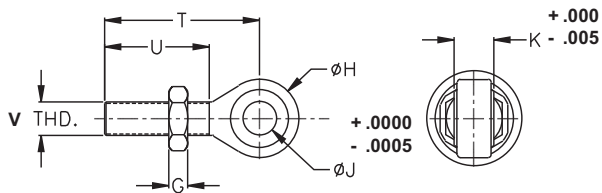
## Rod End Options



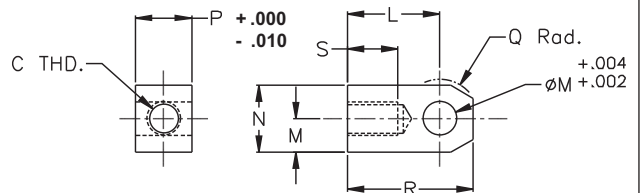
Self-Aligning Coupler <sup>(1)</sup> - C THD.



Male Thread - C THD.



Spherical Rod Eye



Female Eye

## Rod End Options

Model	A	B	C	D	E	F	G	H	J	K	L	M	N	P	Q	R	S	T	U	V
SD9	6.50	3.50	2.5-12	3.25	7.00	2.88	1.72	5.00	2.00	1.75	6.13	3.00	6.00	3.00	3.25	9.13	3.50	8.00	4.63	2.00-12

(1) Zero backlash version also available

## How To Order:

Base Number	Options	Special
S D 9 [ ] [ ] - [ ] [ ] - [ ] [ ] - [ ] [ ] - [ ] [ ]	[ ] [ ] - [ ] [ ] - [ ] [ ] - [ ] [ ] - [ ] [ ]	[ ] [ ] [ ] [ ]
<p><b>Frame Size (in):</b> 9</p> <p><b>Capacity (lb):</b> x1000</p> <p><b>Unit Mounting Option:</b>  <b>MB</b> Bottom Mount  <b>FF</b> Front Flange  <b>MF</b> Foot Mount  <b>TR</b> Rear Trunnion</p> <p><b>End Effector/Rod End:</b>  <b>E</b> Female Eye  <b>F</b> Female Thread  <b>A</b> Self-Aligning Coupler  <b>M</b> Male Thread  <b>S</b> Spherical Rod Eye</p> <p><b>Configuration:</b>  <b>L</b> In-Line  <b>U</b> Parallel Offset</p>	<p><b>Standard Stroke Length (in):</b></p> <p><b>Gearbelt Reduction:</b>  <b>00</b> - Direct Coupled  <b>10</b> - 1:1  <b>20</b> - 2:1</p> <p><b>Motor Position</b>  <b>1, 2, 3, 4</b>  <b>0</b> = Inline                      (refer to figure)</p>	<p><b>Custom Length (in):</b>  <b>00.00</b></p> <p><b>N.C. Switch Qty:</b>  <b>0, 1, 2, 3, etc.</b></p> <p><b>N.O. Switch Qty:</b>  <b>0, 1, 2, 3, etc.</b></p> <p><b>Switch Type:</b>  <b>A</b> - Hall Sourcing PNP  <b>B</b> - Hall Sinking NPN  <b>C</b> - Reed</p>



The products shown in this catalog are intended for industrial use only and should not be used to lift, support or otherwise transport people, unless written authorization is obtained. The information provided in this catalog is believed to be accurate and reliable. However, E-DRIVE assumes no responsibility for its use or for any errors that may appear in this document. This information in this publication is subject to change without notice.

For Application Support  
Call us Today at

**800-878-1157**  
 Fax: 860-953-0496  
 Tel: 860-953-0588